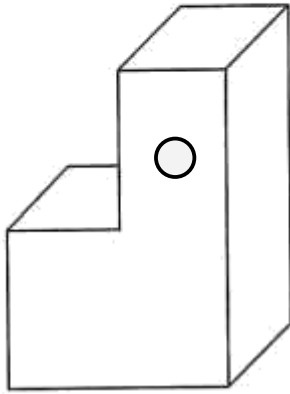
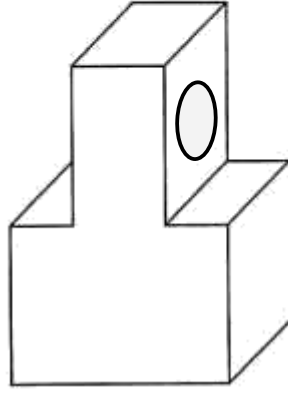


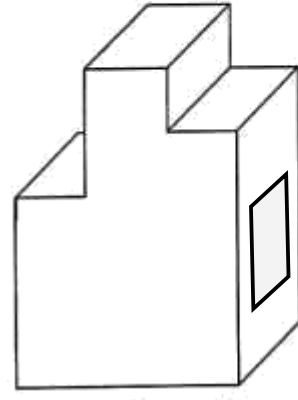
4.3 Obrázky zadání pre rezy a prierezy telies



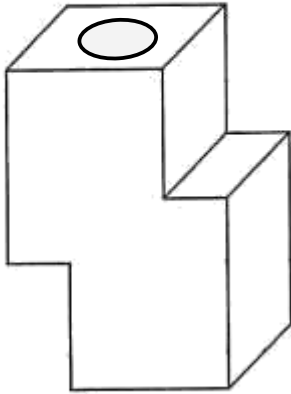
Obr. 4.14



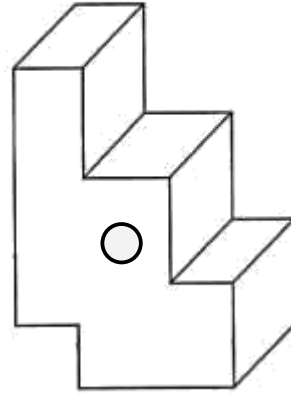
Obr. 4.15



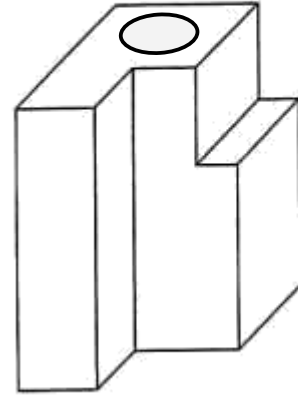
Obr. 4.16



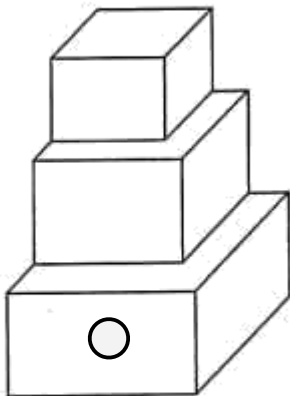
Obr. 4.17



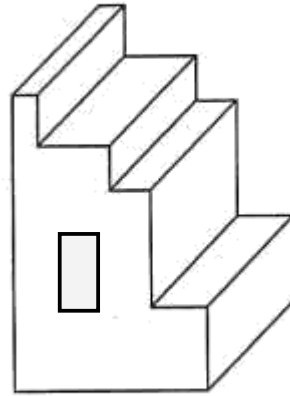
Obr. 4.18



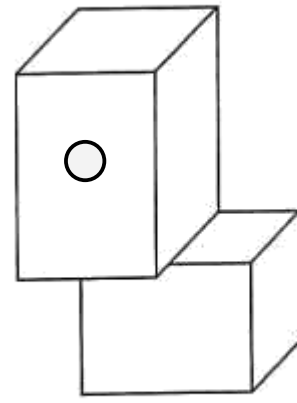
Obr. 4.19



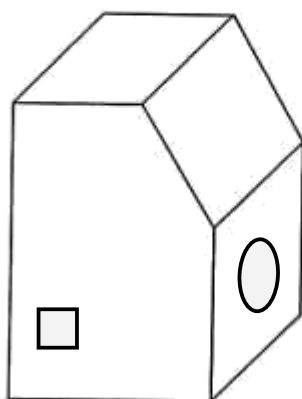
Obr. 4.20



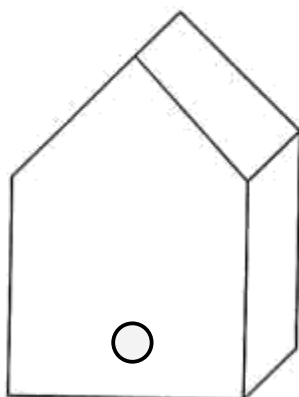
Obr. 4.21



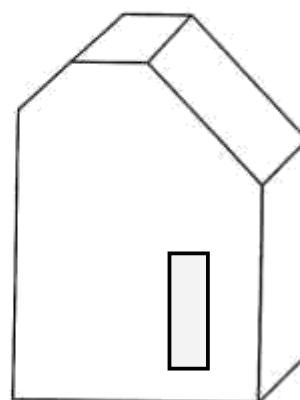
Obr. 4.22



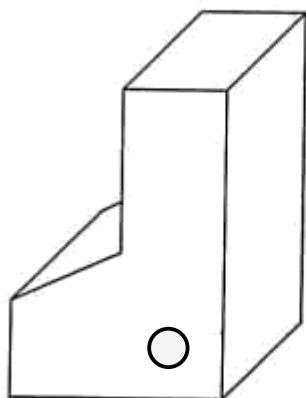
Obr. 4.23



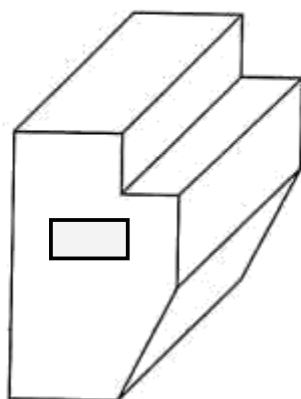
Obr. 4.24



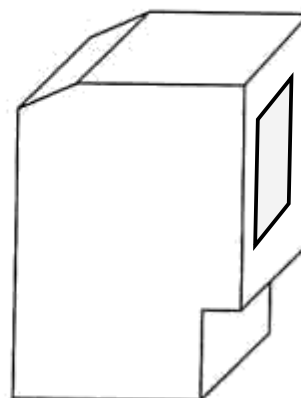
Obr. 4.25



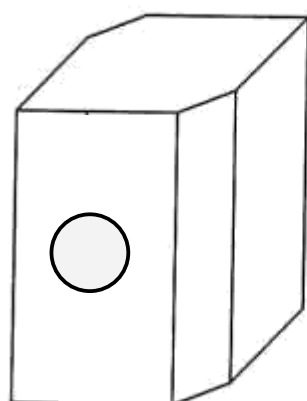
Obr. 4.26



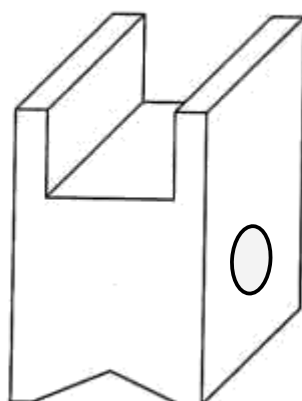
Obr. 4.27



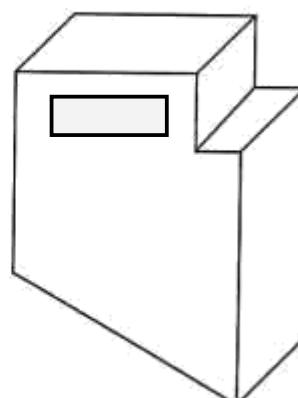
Obr. 4.28



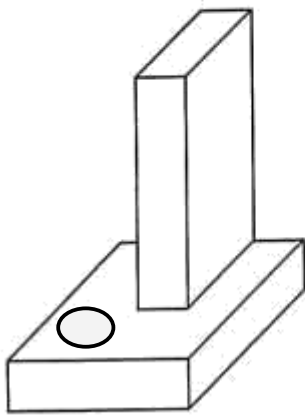
Obr. 4.29



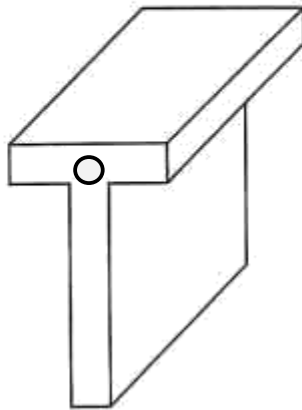
Obr. 4.30



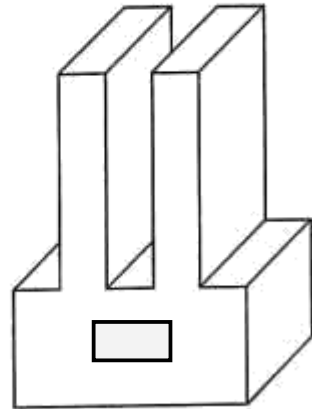
Obr. 4.31



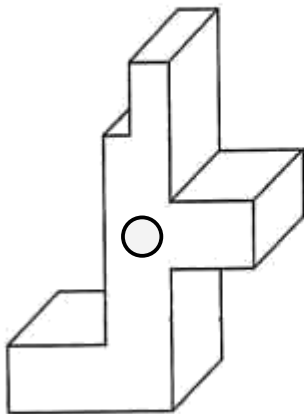
Obr. 4.32



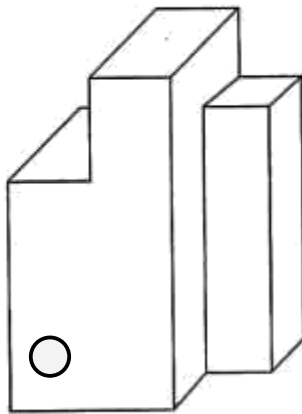
Obr. 4.33



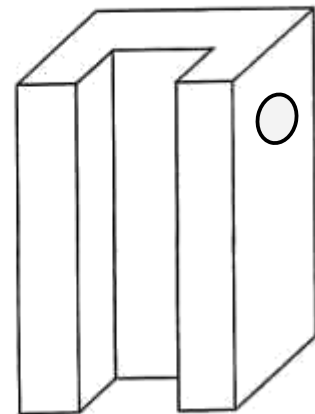
Obr. 4.34



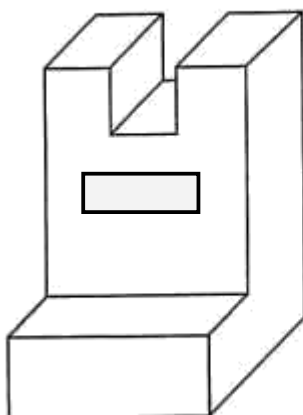
Obr. 4.35



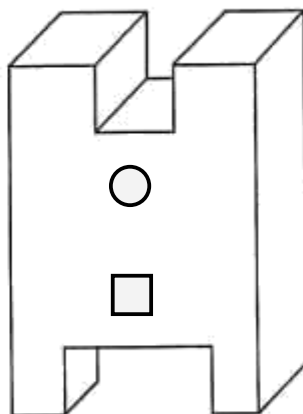
Obr. 4.36



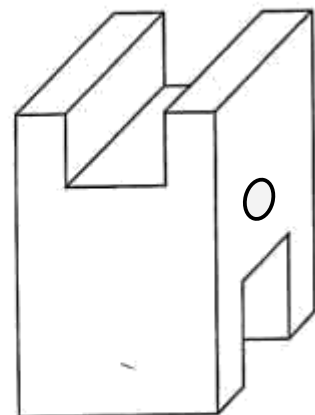
Obr. 4.37



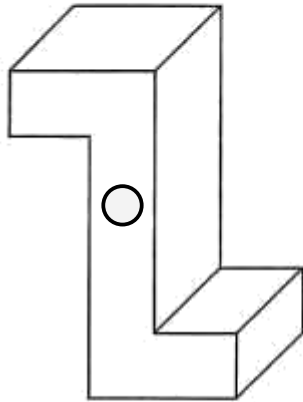
Obr. 4.38



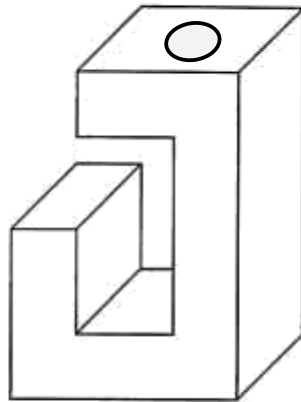
Obr. 4.39



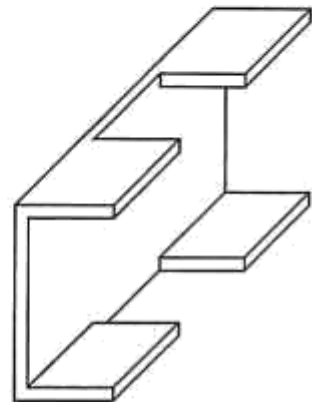
Obr. 4.40



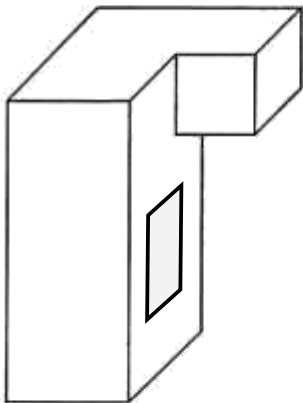
Obr. 4.41



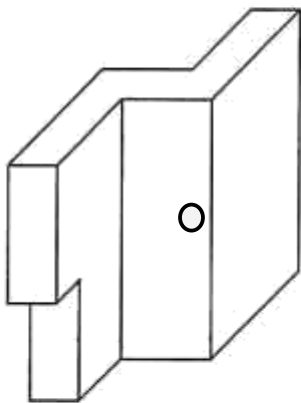
Obr. 4.42



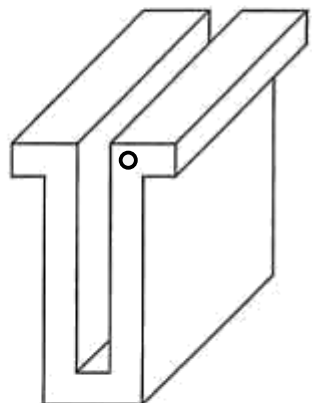
Obr. 4.43



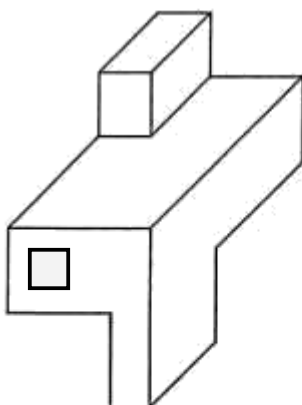
Obr. 4.44



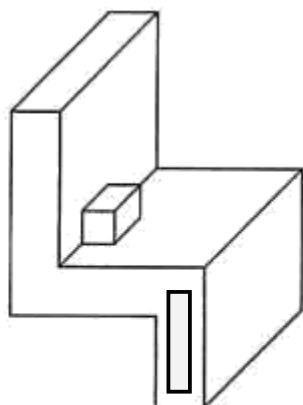
Obr. 4.45



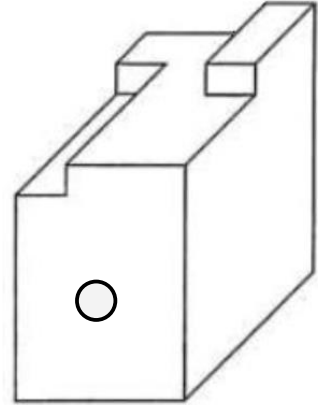
Obr. 4.46



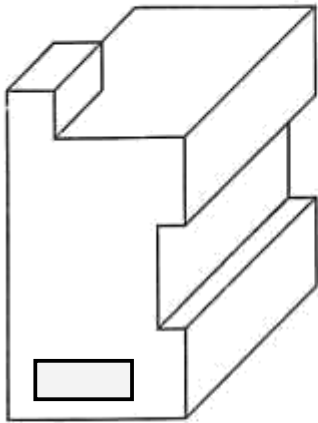
Obr. 4.47



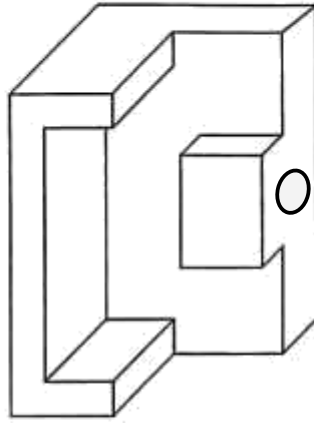
Obr. 4.48



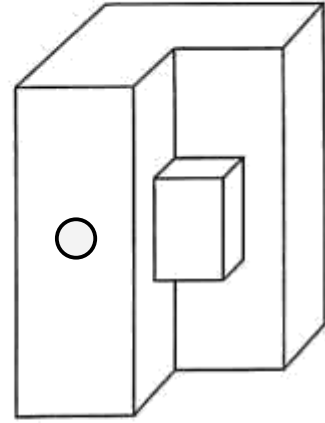
Obr. 4.49



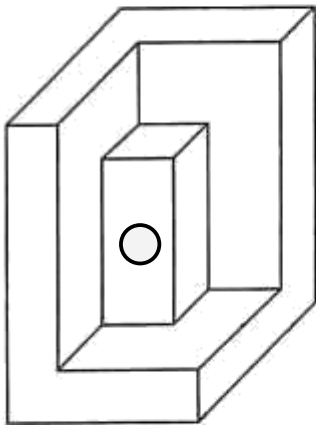
Obr. 4.50



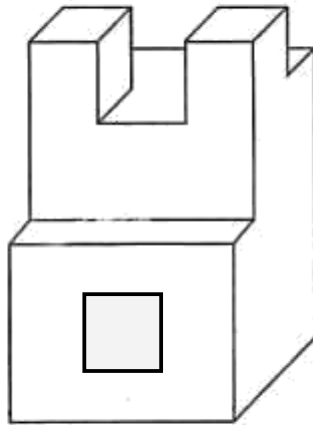
Obr. 4.51



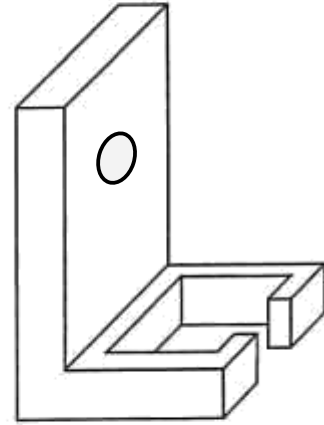
Obr. 4.52



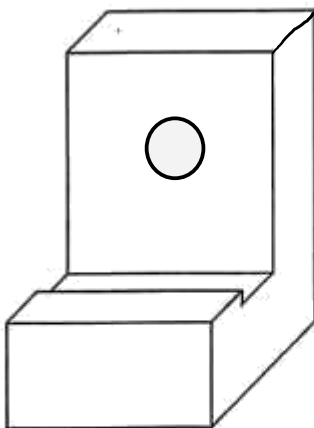
Obr. 4.53



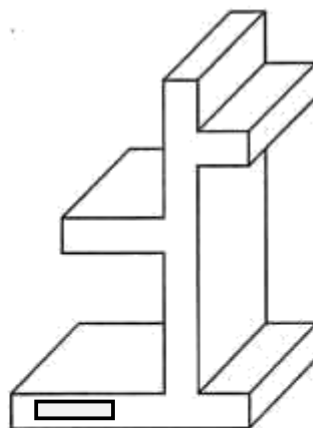
Obr. 4.54



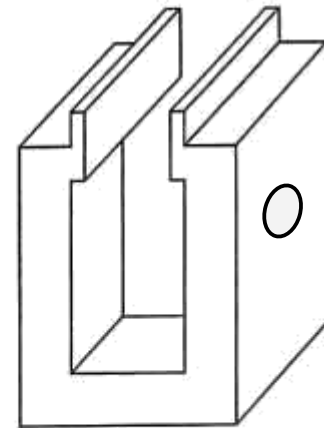
Obr. 4.55



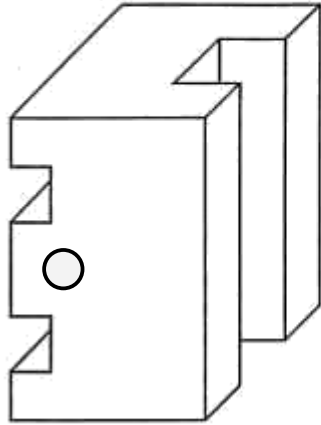
Obr. 4.56



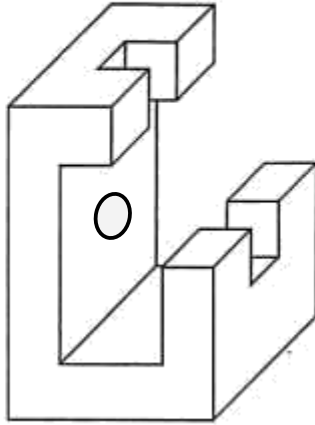
Obr. 4.57



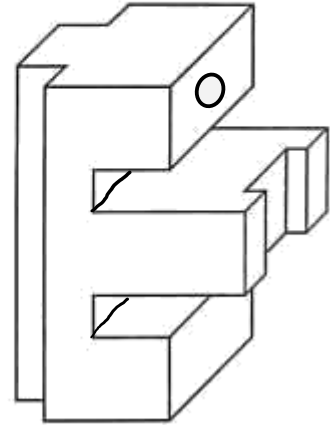
Obr. 4.58



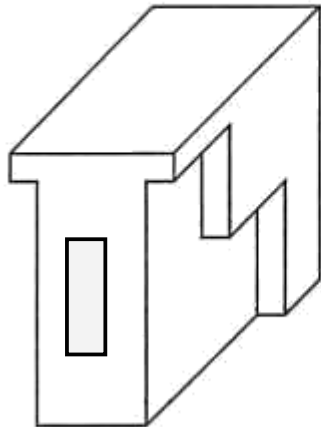
Obr. 4.59



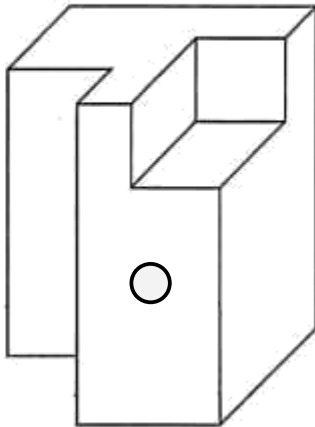
Obr. 4.60



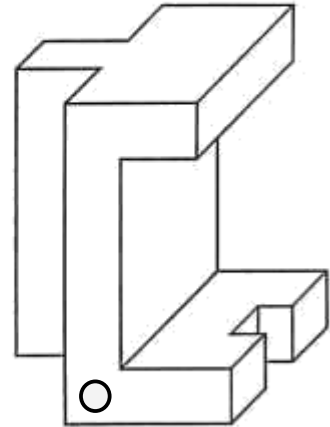
Obr. 4.61



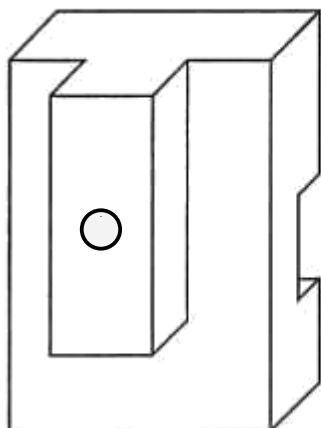
Obr. 4.62



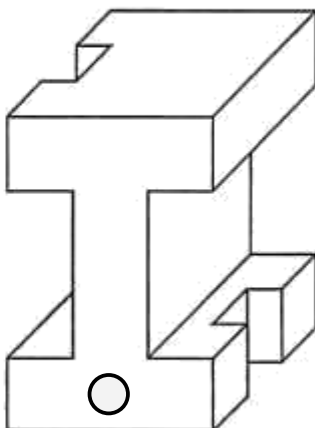
Obr. 4.63



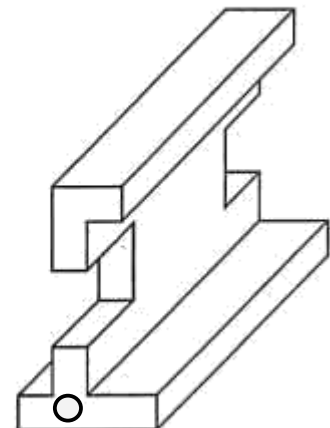
Obr. 4.64



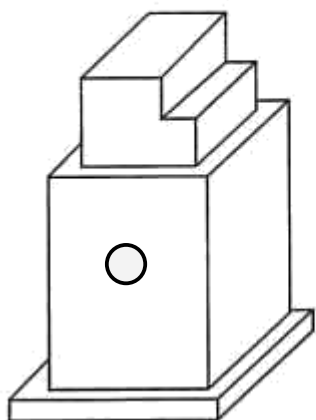
Obr. 4.65



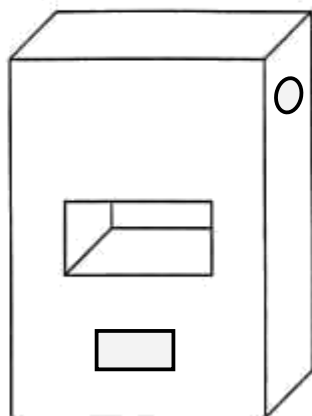
Obr. 4.66



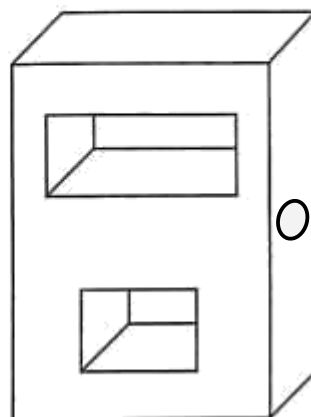
Obr. 4.67



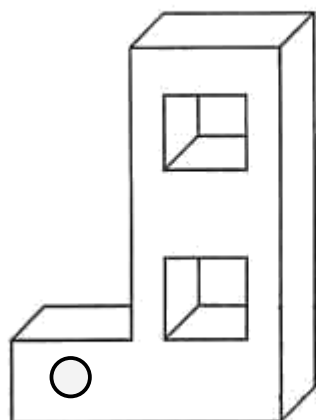
Obr. 4.68



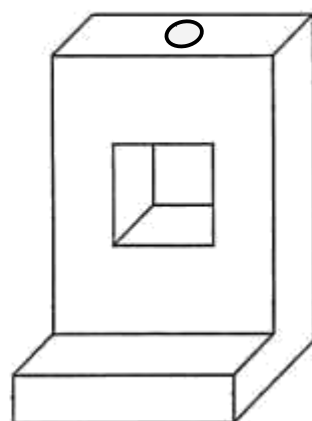
Obr. 4.69



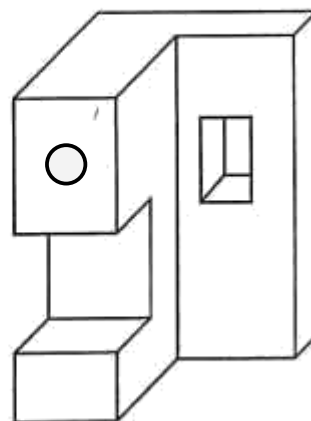
Obr. 4.70



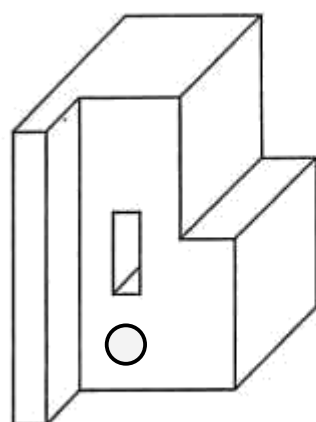
Obr. 4.71



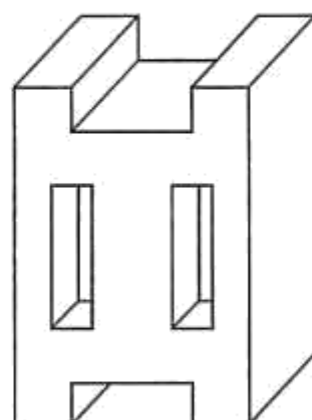
Obr. 4.72



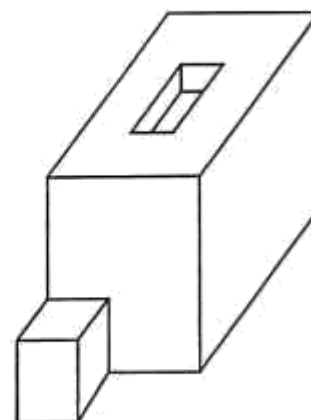
Obr. 4.73



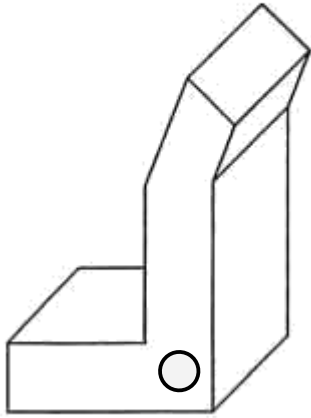
Obr. 4.74



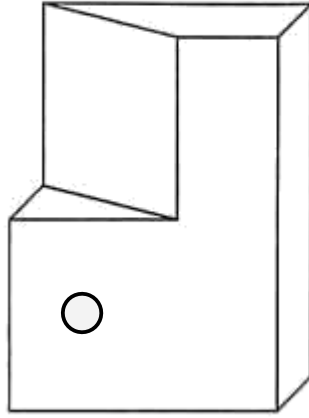
Obr. 4.75



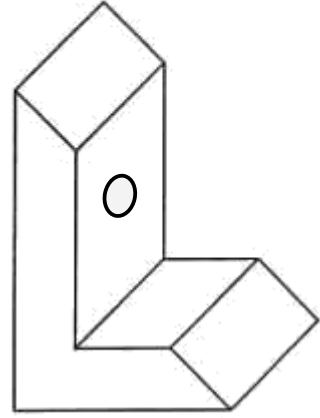
Obr. 4.76



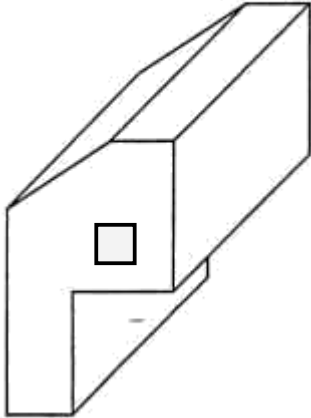
Obr. 4.77



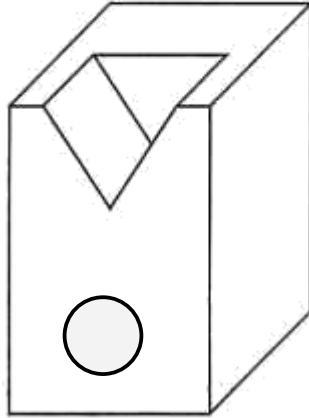
Obr. 4.78



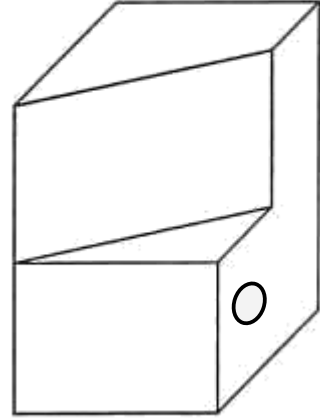
Obr. 4.79



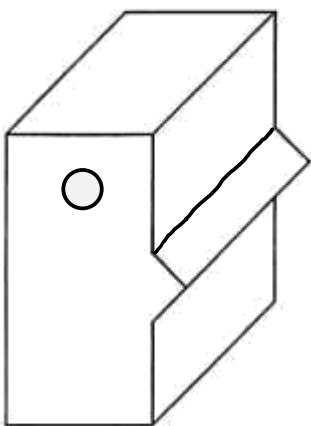
Obr. 4.80



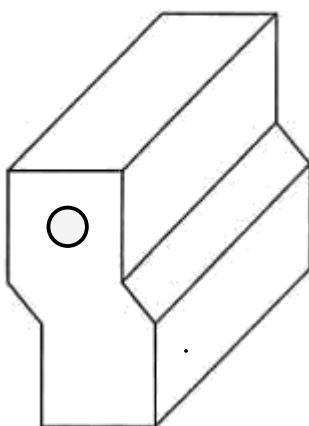
Obr. 4.81



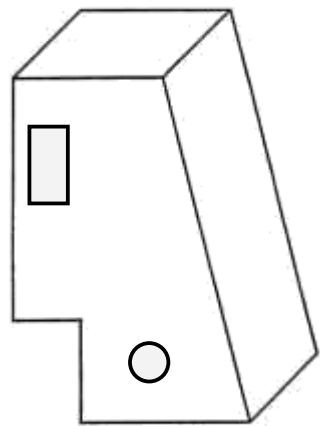
Obr. 4.82



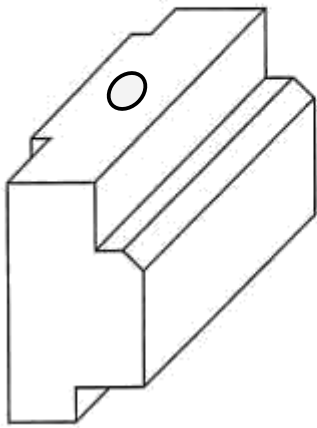
Obr. 4.83



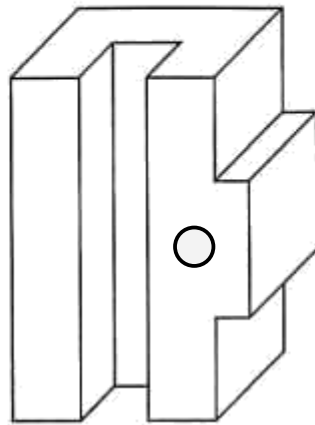
Obr. 4.84



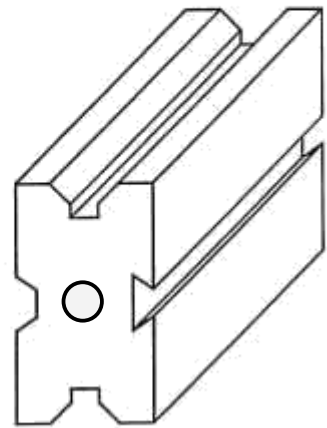
Obr. 4.85



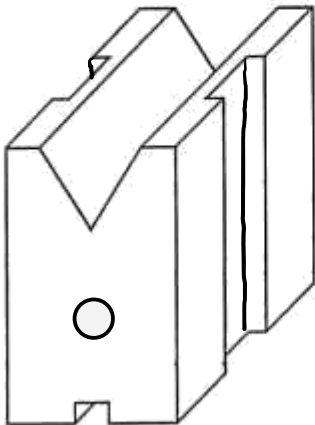
Obr. 4.86



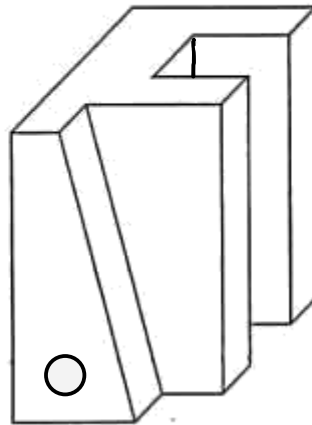
Obr. 4.87



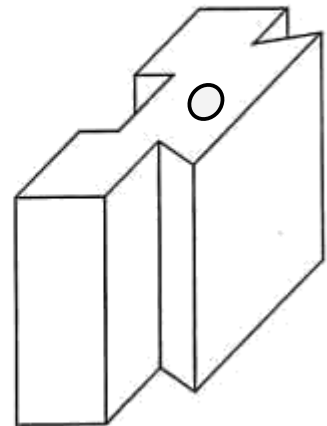
Obr. 4.88



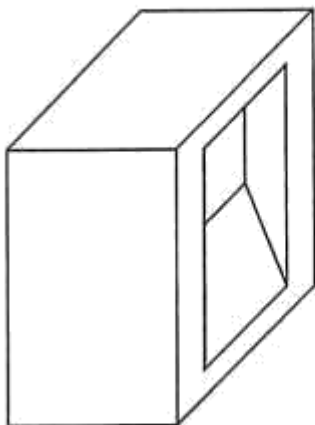
Obr. 4.89



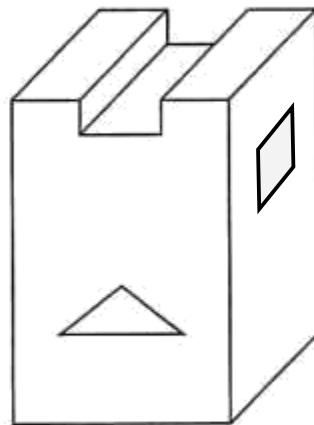
Obr. 4.90



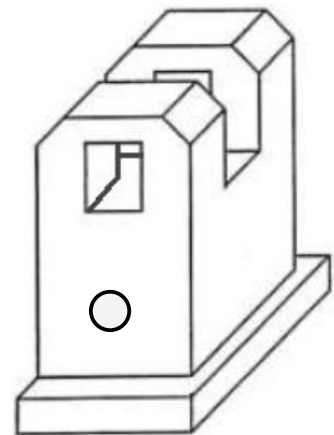
Obr. 4.91



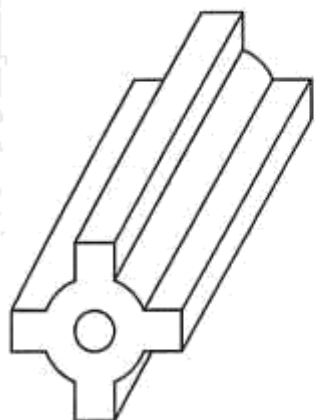
Obr. 4.92



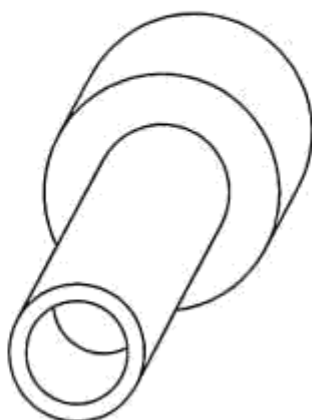
Obr. 4.93



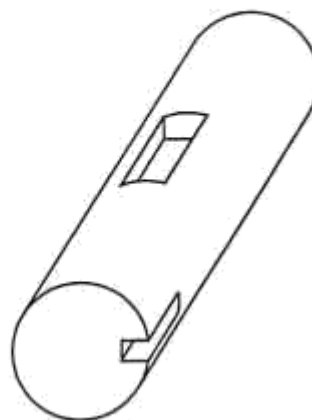
Obr. 4.94



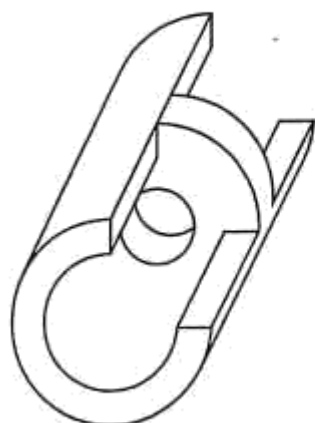
Obr. 4.95



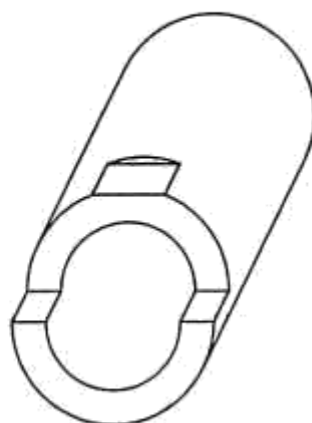
Obr. 4.96



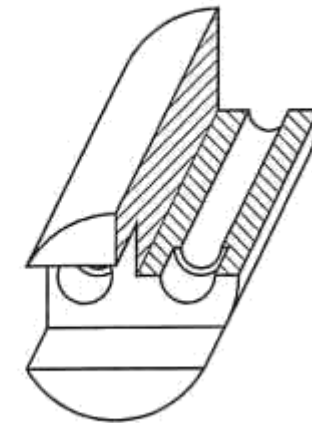
Obr. 4.97



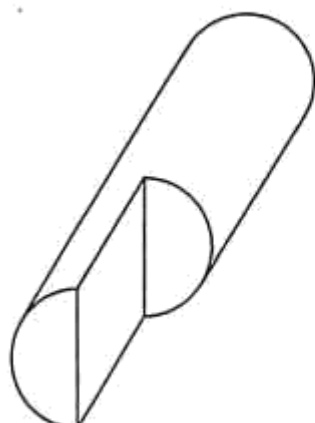
Obr. 4.98



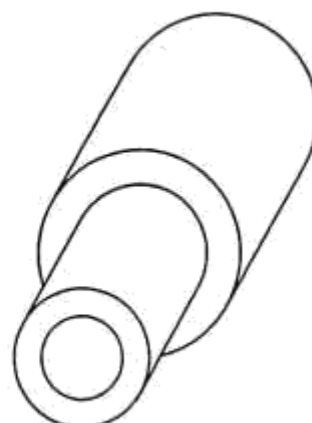
Obr. 9.99



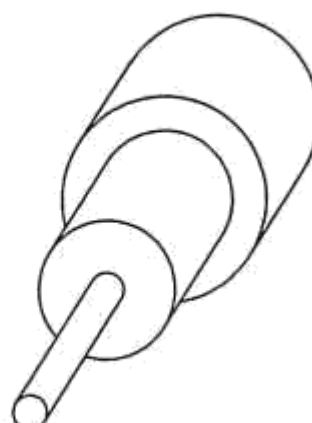
Obr. 4.100



Obr. 4.101



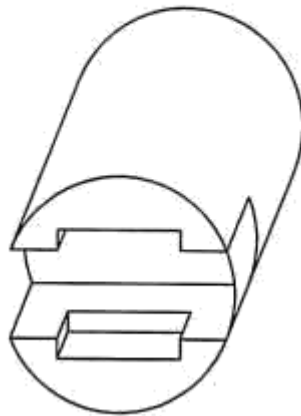
Obr. 4.102



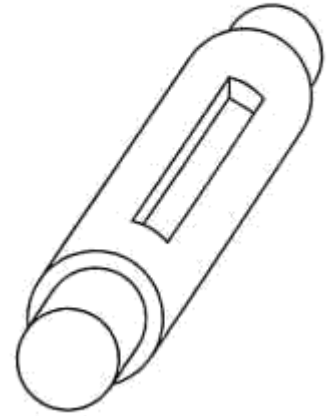
Obr. 4.103



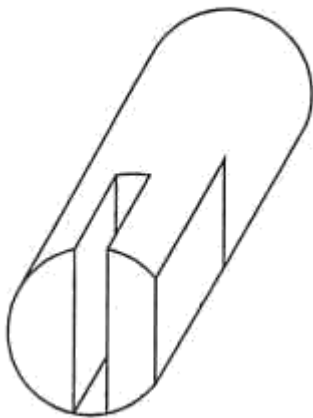
Obr. 4.104



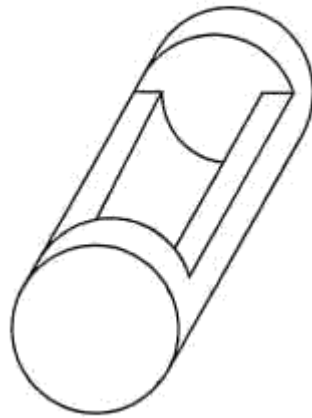
Obr. 4.105



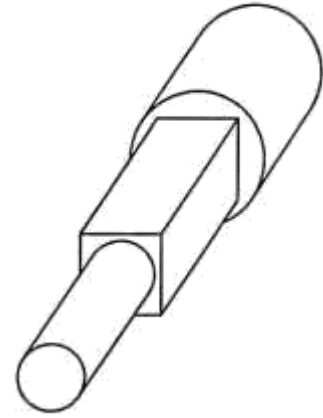
Obr. 4.106



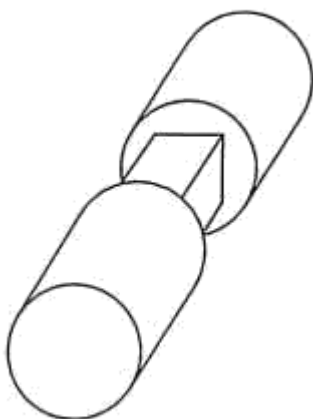
Obr. 4.107



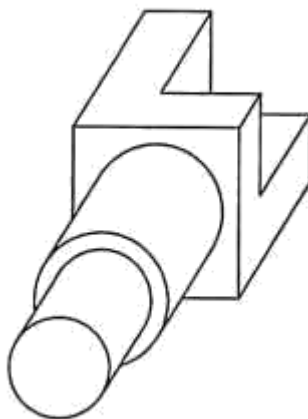
Obr. 4.108



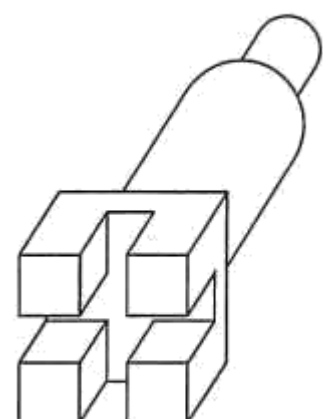
Obr. 4.109



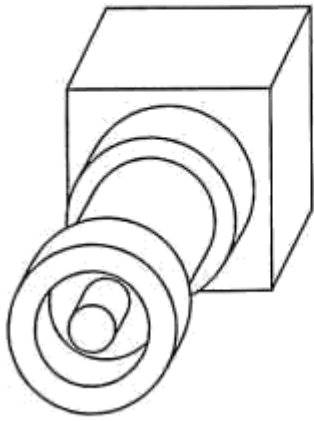
Obr. 4.110



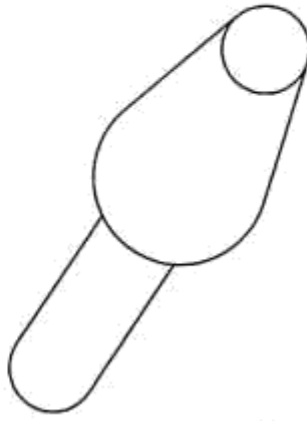
Obr. 4.111



Obr. 4.112



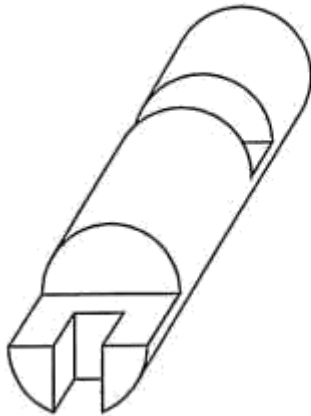
Obr. 4.113



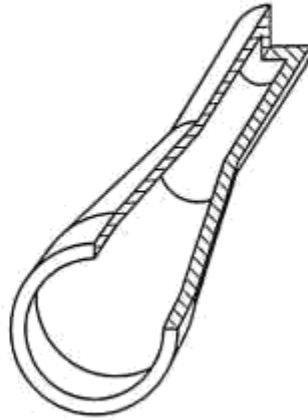
Obr. 4.114



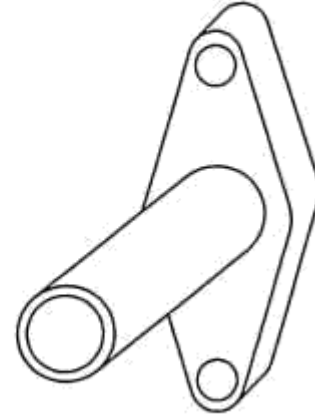
Obr. 4.115



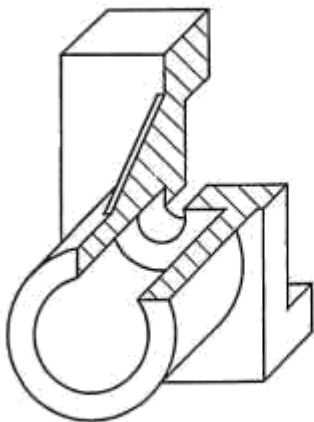
Obr. 4.116



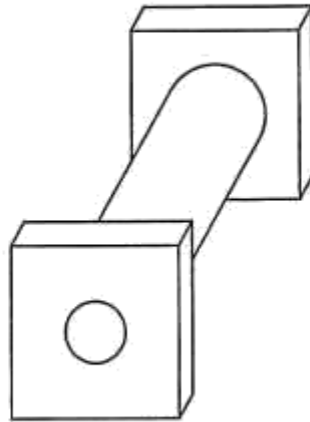
Obr. 4.117



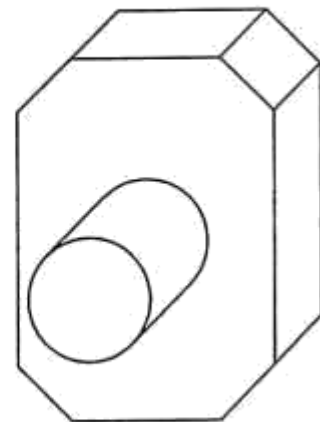
Obr. 4.118



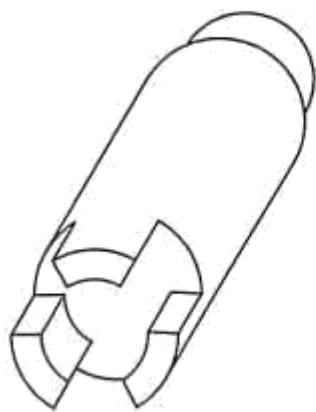
Obr. 4.119



Obr. 4.120



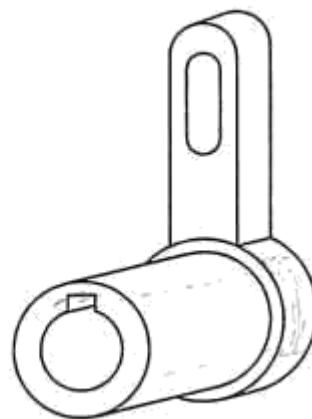
Obr. 4.121



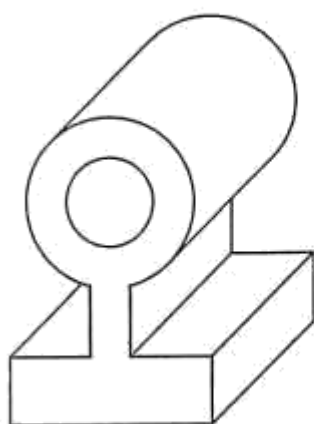
Obr. 4.122



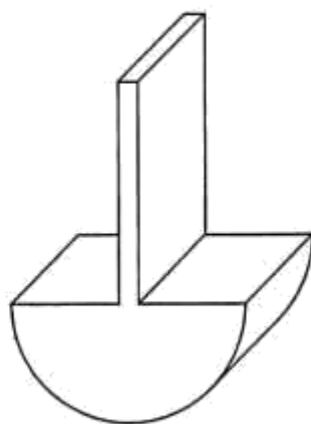
Obr. 4.123



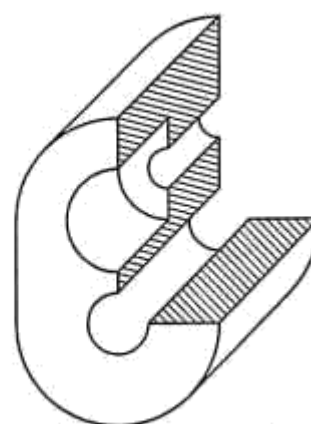
Obr. 4.124



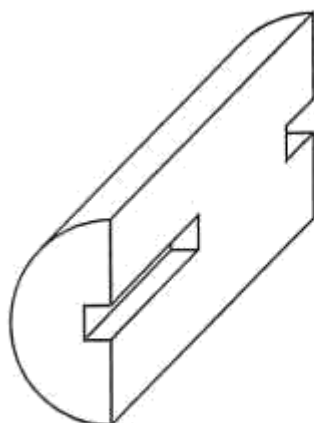
Obr. 4.125



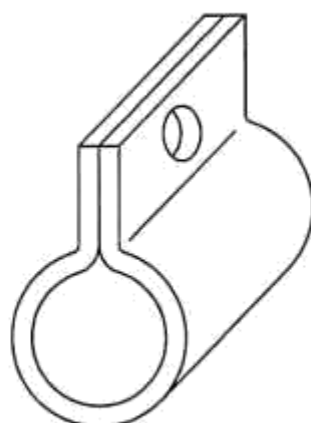
Obr. 4.126



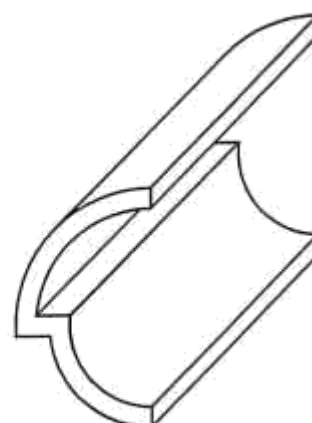
Obr. 4.127



Obr. 4.128



Obr. 4.129



Obr. 4.130